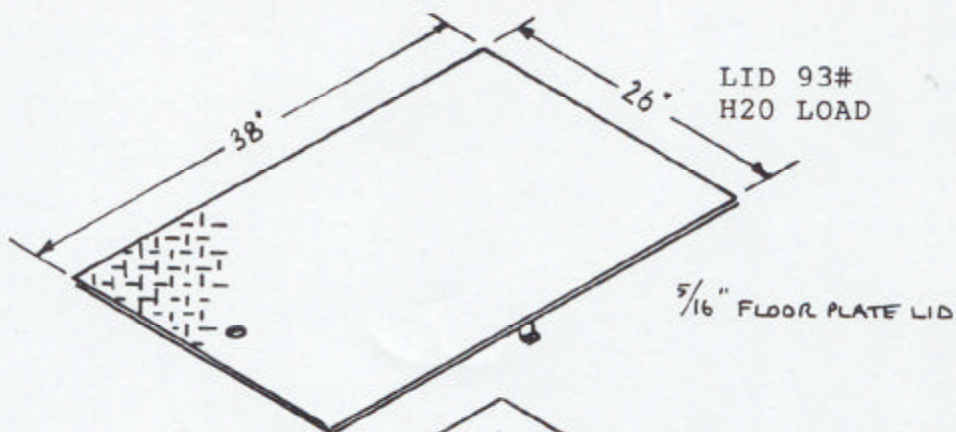
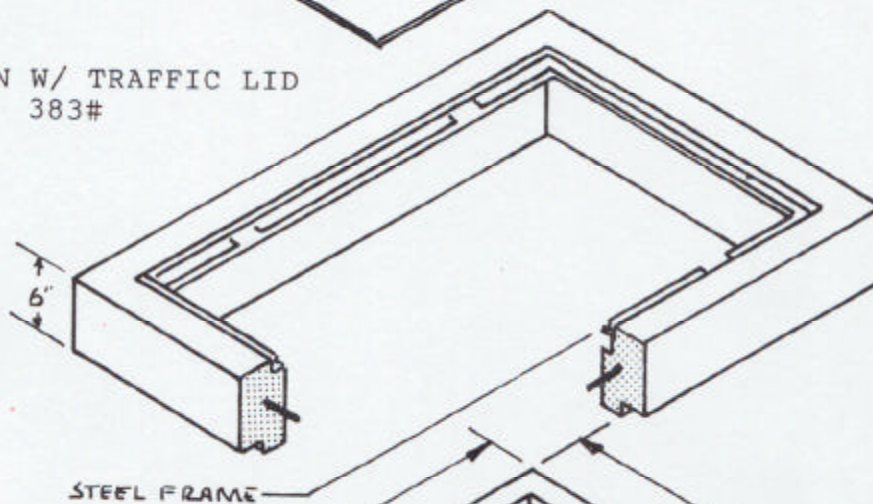


BOX, COMPLETE  
2333#



TOP SECTION W/ TRAFFIC LID  
383#



BOTTOM 1950#

