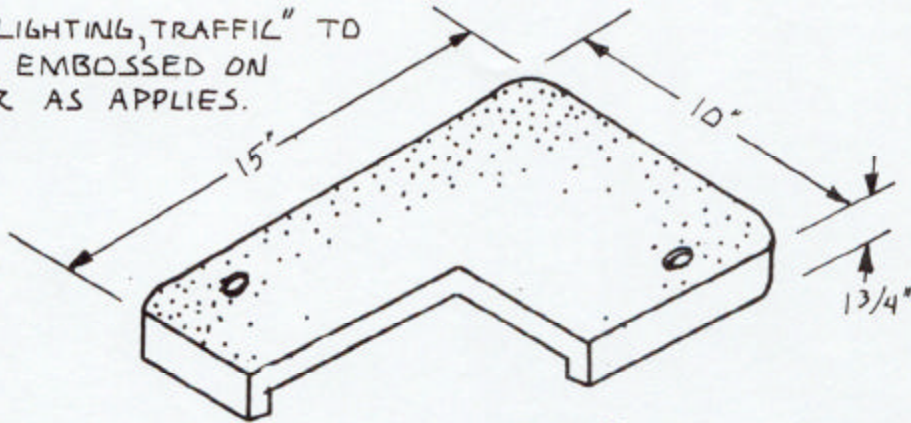
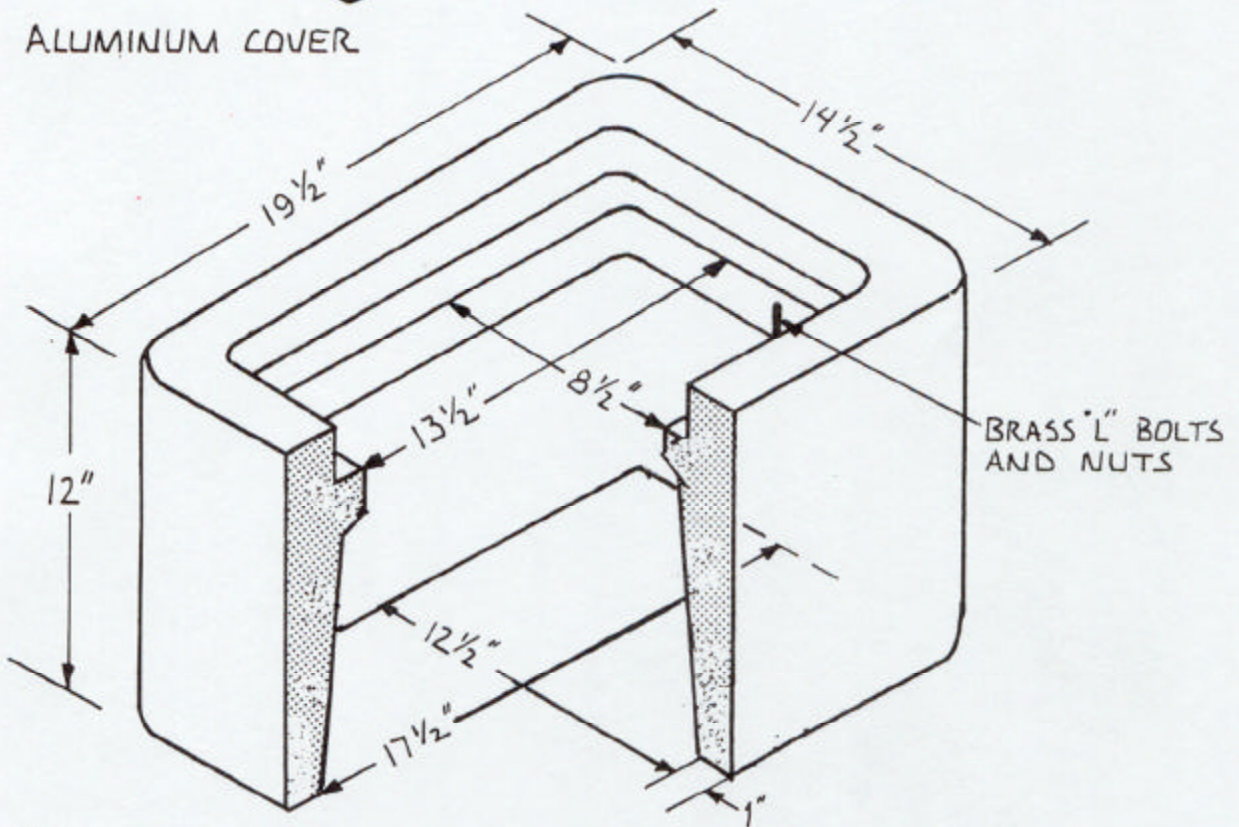


"LIGHTING, TRAFFIC" TO
BE EMBOSSED ON
COVER AS APPLIES.



ALUMINUM COVER



BOTTOM 81 #

BS: COMPLETE 162 #