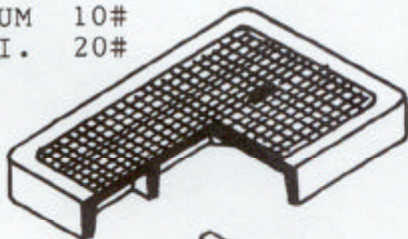


BOTTOM 80#  
 BOX, COMPLETE 101#

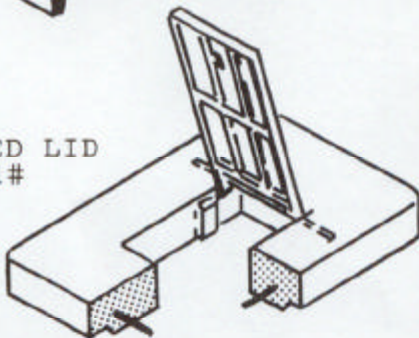
EXTENSION 80#

TRAFFIC LID

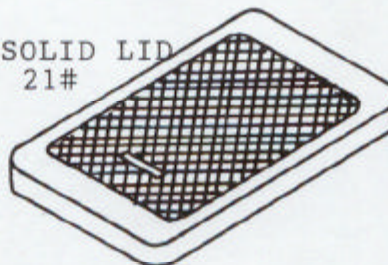
ALUM 10#  
 C.I. 20#



HINGED LID 21#



SOLID LID 21#



DROP-IN LID 21#

