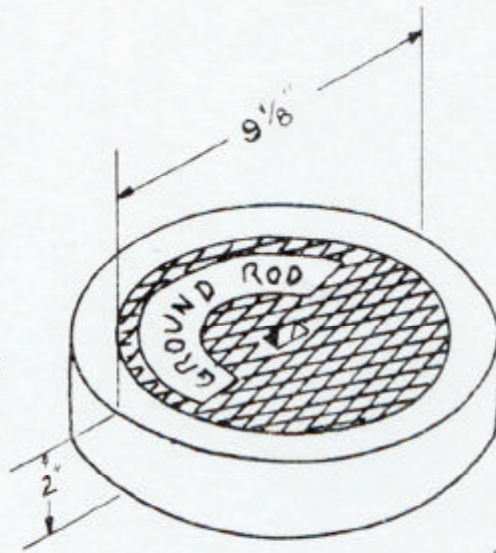


CONCRETE COVER 17#



BOTTOM 37#
BOX, COMPLETE 54#

