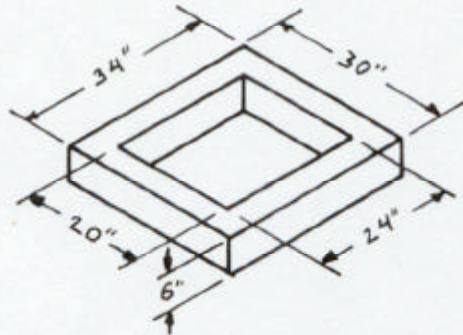
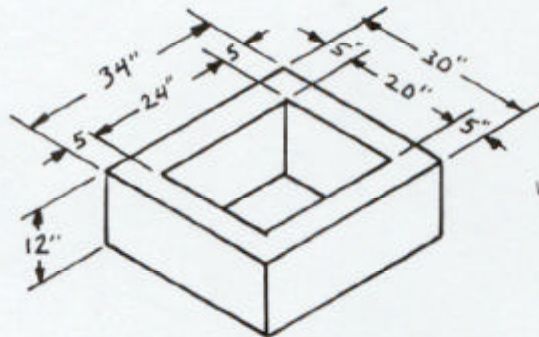


CAST IRON
FRAME AND COVER 280#

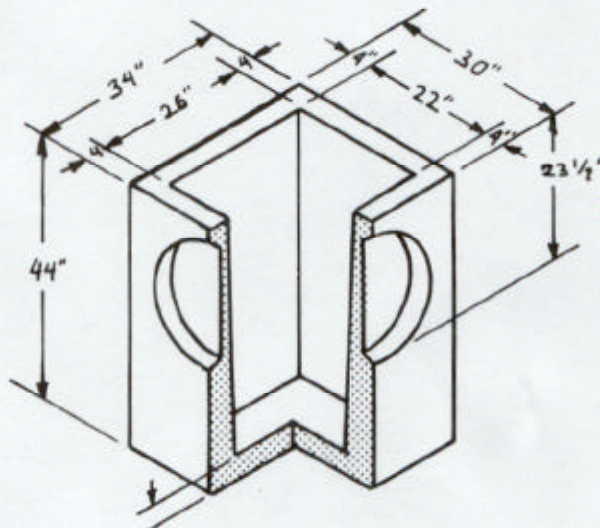


2" RISER 97#
4" RISER 194#
6" RISER 290#
WEIGHT- 290 LBS.



12" RISER 580#
24" RISER 1160#

WEIGHT- 580 LBS.



WEIGHT- 2,170 LBS.