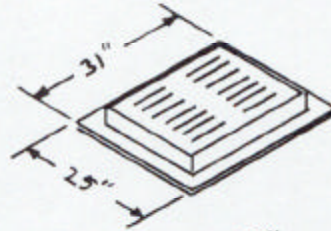
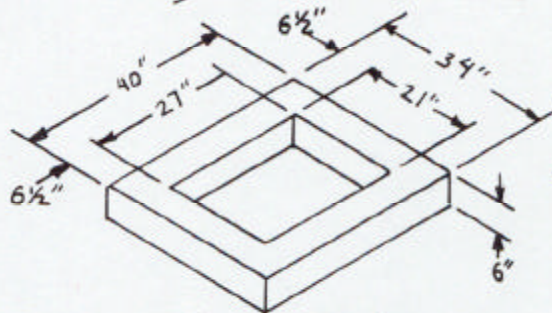


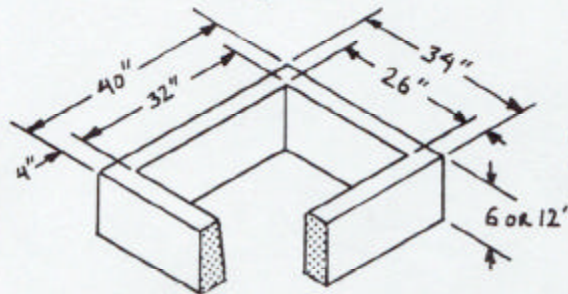
SOLID COVER
- 708 LBS.



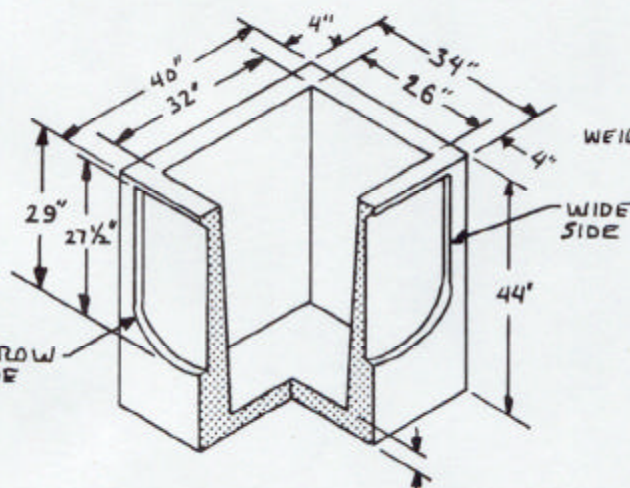
CAST IRON
FRAME AND COVER
280 LBS.



WEIGHT - 413 LBS.



WEIGHT -
- 550 LBS FOR 12"
- 275 LBS FOR 6"



WEIGHT - 2,265 LBS.